

FAUCET DESCRIPTION

- Chrome plated solid brass body
- Gooseneck single mount faucet
- 5.75" x 6" x 10.25" gooseneck included, see reverse side for additional spouts

OPERATION

- Adjustable infrared sensor (range, turn off delay and obstruction delay)
- Temperature controlled by mixing valve or mixing tee (optional)
- Battery powered (AC optional)

FLOW

- Supplied with vandal resistant 0.5 gpm (1.9 L/min) aerator (with key)

VALVES

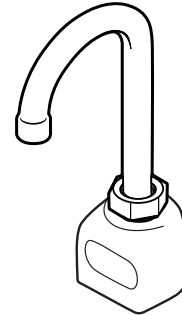
- In-line filter included
- Slow close solenoid valve

STANDARDS

- Third party certified by IAPMO and CSA to meet ASME A112.18.1M and all applicable specifications referenced therein and complies with the requirements of ANSI A117.1

WARRANTY

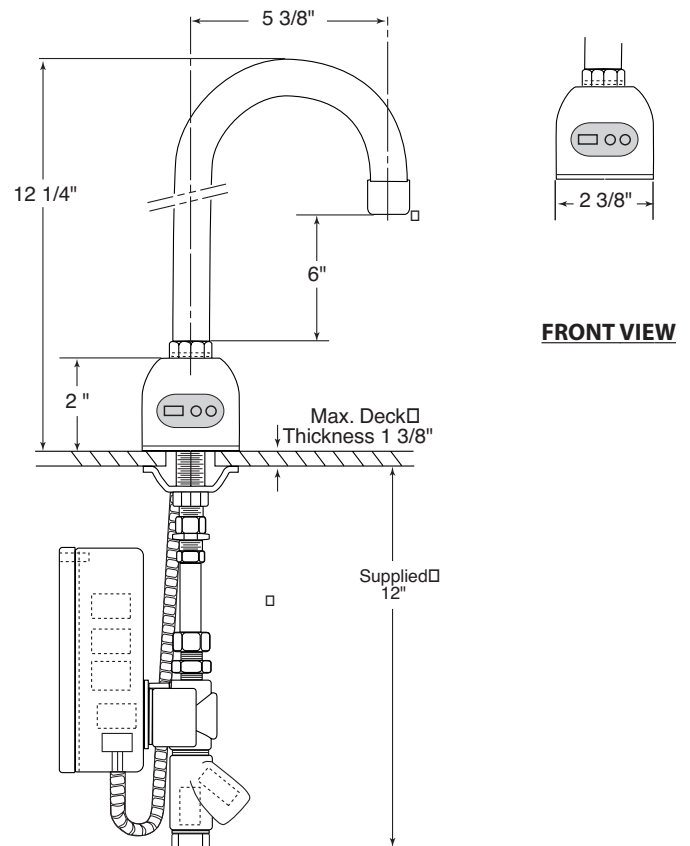
- Warranted 1 year for electronic components and 5 years for all other components against material or manufacturers defects.



ADA 

Single Deck-Mount, Gooseneck, Non-Mixing, Battery Powered Electronic Faucet

Model: 8303



CRITICAL DIMENSIONS

(DO NOT SCALE)